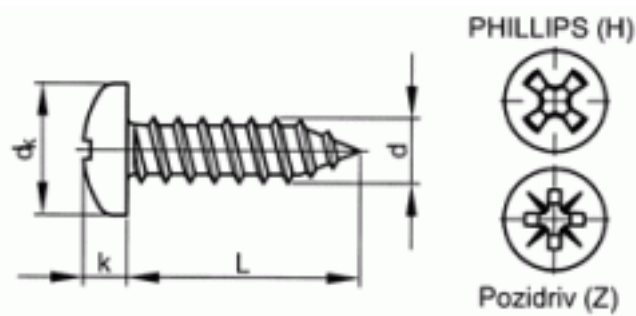


55660029009

D7981CH STN A4 PAN TAPSCR PH ST2,9X9,5MM



Brand	-
UBB Code	950352559591
UNSPSC Code	31161507
EAN Code	8715492350398
Head shape	pan head
Thread	Self tapping thread
Material	Stainless steel
Material technical	A4
Driving features	Phillips
DIN	7981 C



L	9,5
d	2,9
Packaging (Piece )	200.0



Copyright Fabory Group