

## Croma

### Overhead shower 280 1jet

Surfaces: **Chrome** Article Number: **26220000**



#### Description

##### product features

- shower head size: 280 mm
- spray type: RainAir
- ball-joint: overhead shower angle adjustable
- material spray disc: metal
- maximum flow rate at 3 bar: 15,6 l/min
- flow rate RainAir spray (at 3 bar): 15,6 l/min
- function from: 9,5 l/min
- minimum flow pressure: 1,5 bar
- spray disc removable for cleaning
- installation: ceiling or wall
- connection thread G ½
- connection dimension: DN15
- suitable for continuous flow water heaters

#### Technology



#### Design awards



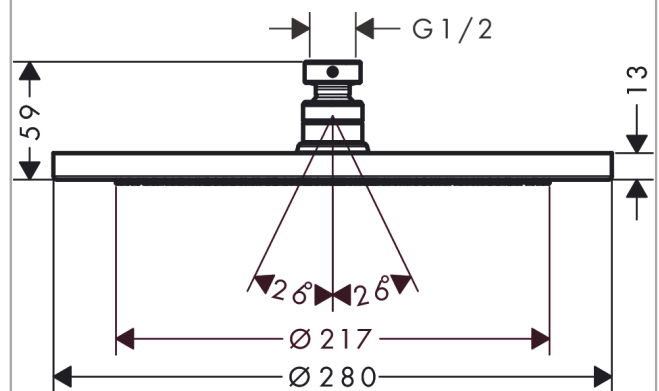
reddot award 2017  
winner



#### Product image



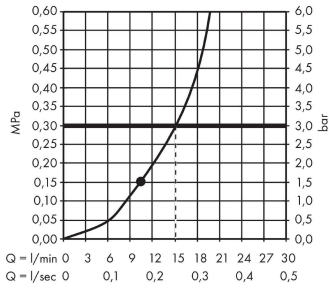
#### Scale drawing



**Croma**  
**Overhead shower 280 1jet**  
 Surfaces: **Chrome** Article Number: **26220000**



**Flowchart**



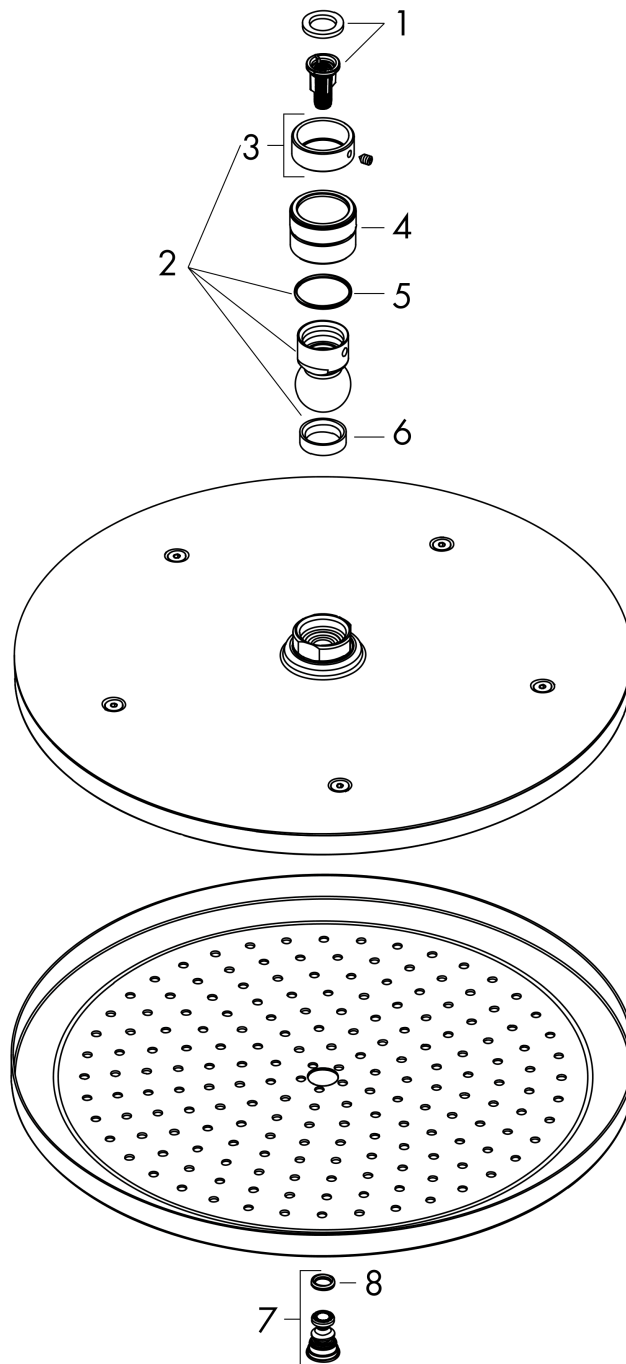
The consumption was measured in combination with the appropriate fittings (thermostat/mixer/in-wall valve) to reflect actual application in practice.

**Croma**  
**Overhead shower 280 1jet**  
 Surfaces: **Chrome** Article Number: **26220000**



**Exploded Drawing**

Year of production: >04/16



**Croma**

**Overhead shower 280 1jet**

Surfaces: **Chrome** Article Number: **26220000**



**Spare part list**

Year of production: >04/16

Pos.	Description	Article Number	Price	PU
1	filter insert	97708000	€ 5,24	1
2	ball joint	98941000	€ 35,94	1
3	lock washer	98942000	€ 18,33	1
4	nut	97958000	€ 5,24	1
5	lever collar	97536000	€ 5,24	1
6	seal	97606000	€ 5,24	1
7	air jet	95794000	€ 28,20	1
8	O-ring 7x2	98419000	€ 3,21	1