

Basic set for 2-hole rim mounted thermostat

Surfaces: n.a. Article Number: 13550180



Description

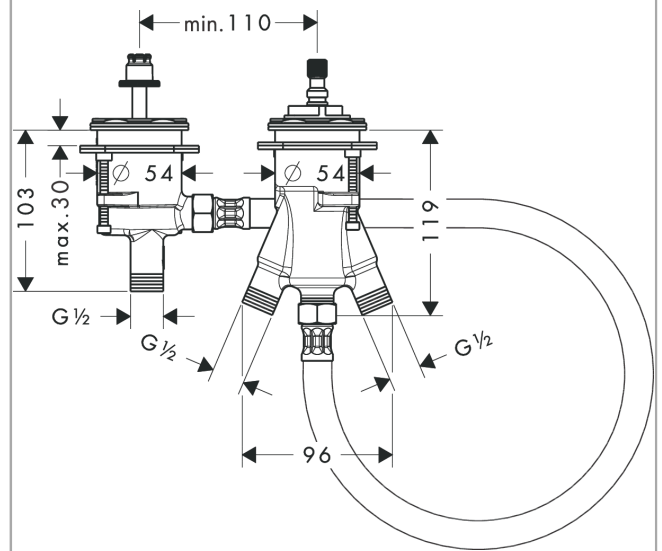
product features

- suitable for remote spout
- connection thread: G 1/2
- connection dimension: DN15
- flow rate upper outlet: 32 l/min
- flow rate lower outlet: 32 l/min

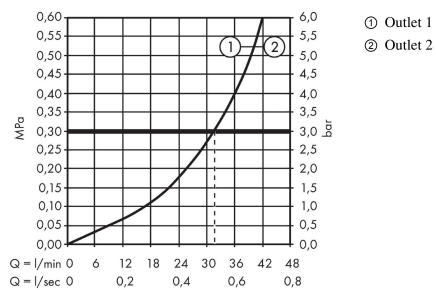
Product image



Scale drawing



Flowchart



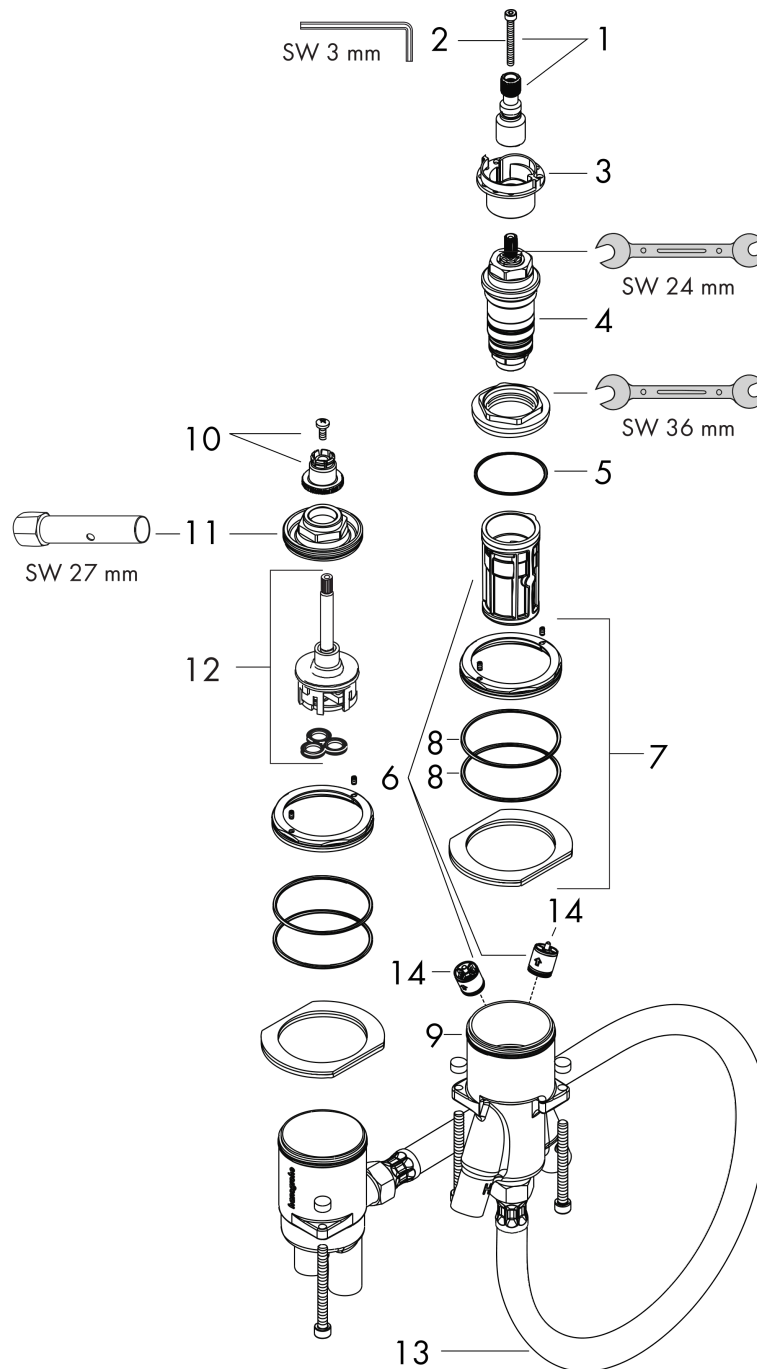
Basic set for 2-hole rim mounted thermostat

Surfaces: n.a. Article Number: 13550180



Exploded Drawing

Year of production: >08/07



Basic set for 2-hole rim mounted thermostat

Surfaces: n.a. Article Number: 13550180



Spare part list

Year of production: >08/07

Pos.	Description	Article Number	Price	PU
1	adapter for handle	97108000	€ 18,33	1
2	hexagon socket screw M4x35	92160000	€ 3,21	1
3	safety set for temperature control	96626000	€ 28,20	1
4	thermostat cartridge	94282000	€ 124,95	1
5	O-ring 41x1,5	98168000	€ 3,21	1
6	service set	95183000	€ 18,33	1
7	fixing set	96926000	€ 70,57	1
8	O-ring 57x2	98210000	€ 3,21	1
9	O-Ring 50x2	98187000	€ 3,21	1
10	handle fixing set	94184000	€ 5,24	1
11	nut	97550000	€ 13,92	1
12	diverter unit	92371000	€ 57,12	1
13	connection hose 600 mm G½ x G½	25928000	€ 44,63	1
14	set of non return valves DW 15	94074000	€ 13,92	1
a	set of unions	96387000	-	1