

Contact insert - HC-Q07-I-CT-F

1418623

<https://www.phoenixcontact.com/gb/products/1418623>



Please be informed that the data shown in this PDF document is generated from our Online Catalog. Please find the complete data in the user documentation. Our General Terms of Use for Downloads are valid.



Contact insert, number of positions: 7+PE, size: D7, number of connections per position: 1, Socket, Crimp connection, 400 V, 12 A, 0.14 mm² ... 2.5 mm²

Contact insert - HC-Q07-I-CT-F



1418623

<https://www.phoenixcontact.com/gb/products/1418623>

Commercial Data

Item number	1418623
Packing unit	1 pc
Minimum order quantity	1 pc
Sales Key	BF7ABJ
Product Key	BF7ABJ
Catalog Page	Page 507 (C-2-2019)
GTIN	4055626249360
Weight per Piece (including packing)	16.6 g
Weight per Piece (excluding packing)	16.2 g
Customs tariff number	85389099
Country of origin	CN

Contact insert - HC-Q07-I-CT-F

1418623

<https://www.phoenixcontact.com/gb/products/1418623>

Technical Data

Notes

General	For HC-D7 housing, crimp contacts CK1,6-ED (crimp contacts not included in scope of supply)
General	Connectors may be operated only when there is no load/voltage.

Product properties

Type	D7
Product type	Contact insert with a fixed no. of positions
Number of positions	7
Connection profile	7+PE
Number of connections per position	1
Contact type	turned rolled
Series	HC-Q

Insulation characteristics

Overvoltage category	III
Degree of pollution	3

Connection data

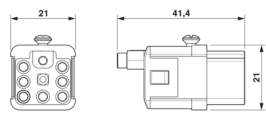
Connection technology

Connection technology	Crimp connection
Number of connections per position	1
Connection in acc. with standard	IEC / EN

Conductor connection

Conductor cross section	0.14 mm ² ... 2.5 mm ²
Connection cross section AWG	26 ... 14
Stripping length of the individual wire	8 mm 6 mm (2.5 mm ²)

Dimensions

Dimensional drawing	
Width	21 mm
Height	40.1 mm
Length	21 mm

Mechanical characteristics

Contact insert - HC-Q07-I-CT-F



1418623

<https://www.phoenixcontact.com/gb/products/1418623>

Contact diameter	1.6 mm
------------------	--------

Electrical properties

Rated voltage (III/3)	400 V
Rated surge voltage	6 kV
Rated current	12 A
Test voltage	6 kV

Material specifications

Flammability rating according to UL 94	V0
Contact material	Copper alloy
Contact surface material	Ag (alternatively Au)
Contact carrier material	PC
Standards/regulations	PC: Fire protection in rail vehicles - requirement sets R22, R23, and R24 acc. to DIN EN 45545-2 (Risk level HL1 - HL3)

Connector

Insertion/withdrawal cycles	≥ 500
-----------------------------	-------

Cable / line

Cable structure

Stripping length of the individual wire	8 mm
	6 mm (2.5 mm ²)

Mounting

Assembly instructions	To ensure correct use, installation in housing with IP54 protection or better is required
	Four different coding options to prevent mismatching.
	Contact insert including IP67 sealing screw.

Ambient conditions

Ambient temperature (operation)	-40 °C ... 125 °C (including heating up of contacts)
---------------------------------	--

Standards and regulations

Constructional and testing regulations	DIN VDE 0627/86
	DIN VDE 0110/02.79
	DIN VDE 0110-1/04.97
	IEC 60664-1, DIN IEC 60512
	IEC 60352
Tests	DIN VDE 0627/86
	DIN VDE 0110/02.79
	DIN VDE 0110-1/04.97
	IEC 60664-1, DIN IEC 60512
	IEC 60352

Contact insert - HC-Q07-I-CT-F



1418623

<https://www.phoenixcontact.com/gb/products/1418623>

Testing

Standards/regulations

PC: Fire protection in rail vehicles - requirement sets R22, R23, and R24 acc. to DIN EN 45545-2 (Risk level HL1 - HL3)

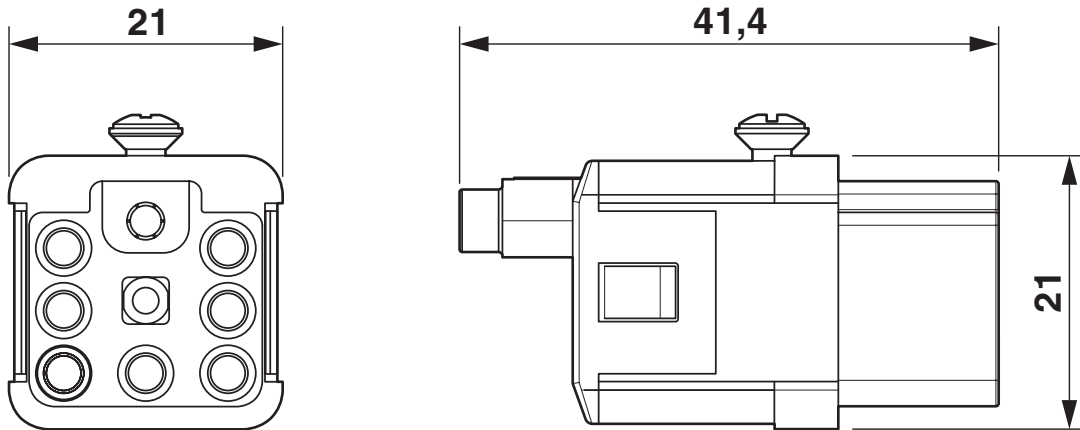
Contact insert - HC-Q07-I-CT-F

1418623

<https://www.phoenixcontact.com/gb/products/1418623>

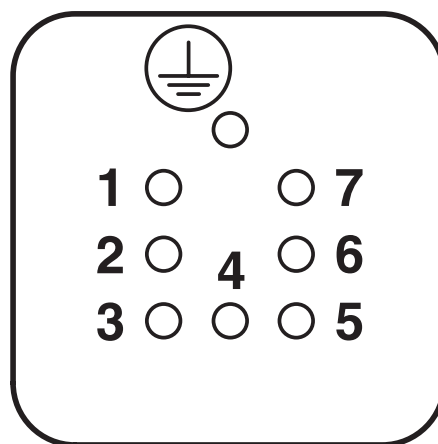
Drawings

Dimensional drawing



Female insert (turned contacts)

Schematic diagram



Connector pin assignment (connection side)

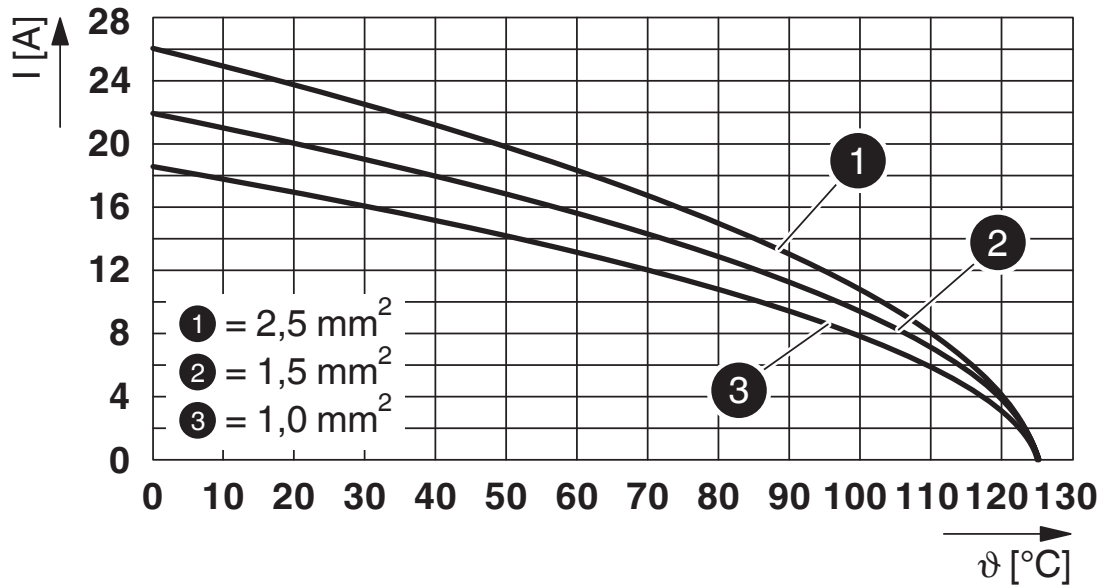
Contact insert - HC-Q07-I-CT-F

1418623

<https://www.phoenixcontact.com/gb/products/1418623>



Diagram



Derating diagram turned contacts

Contact insert - HC-Q07-I-CT-F



1418623

<https://www.phoenixcontact.com/gb/products/1418623>

Approvals

DNV

Approval ID: TAE000037S



CSA

Approval ID: 13631

Nominal Voltage U_N

Nominal Current I_N

Cross Section AWG

Cross Section mm^2

600 V

13.5 A

- 14

-



UL Recognized

Approval ID: E118976

Nominal Voltage U_N

Nominal Current I_N

Cross Section AWG

Cross Section mm^2

600 V

17.5 A

- 14

-



EAC

Approval ID: RU C-DE.AI30.B.01102



EAC

Approval ID: RU C-DE.BL08.B.00511

Contact insert - HC-Q07-I-CT-F



1418623

<https://www.phoenixcontact.com/gb/products/1418623>

Classifications

ECLASS

ECLASS-9.0	27440205
ECLASS-10.0.1	27440205
ECLASS-11.0	27440205

ETIM

ETIM 8.0	EC000438
----------	----------

UNSPSC

UNSPSC 21.0	39121522
-------------	----------

Contact insert - HC-Q07-I-CT-F



1418623

<https://www.phoenixcontact.com/gb/products/1418623>

Environmental Product Compliance

REACH SVHC	Lead 7439-92-1
China RoHS	Environmentally Friendly Use Period = 50 years
	For information on hazardous substances, refer to the manufacturer's declaration available under "Downloads"

Contact insert - HC-Q07-I-CT-F

1418623

<https://www.phoenixcontact.com/gb/products/1418623>



Accessories

Assembly tool

Assembly tool - UNIFOX MT-CK 1.6/2.5 - 1089092

<https://www.phoenixcontact.com/gb/products/1089092>



Assembly tool, for CK 1.6... crimp contacts for small conductor cross sections

Contact insert

Contact insert - HC-Q07-I-CT-M - 1418624

<https://www.phoenixcontact.com/gb/products/1418624>



Contact insert, number of positions: 7+PE, size: D7, number of connections per position: 1, Pin, Crimp connection, 400 V, 12 A, 0.14 mm² ... 2.5 mm²

Contact insert - HC-Q07-I-CT-F

1418623

<https://www.phoenixcontact.com/gb/products/1418623>



Female contact

Female contact - CK1,6-ED-BU-POF - 1885004

<https://www.phoenixcontact.com/gb/products/1885004>



POF fiber optic socket contact, turned, for contact carriers (HC-DD...I-CT.../ HC-M-12-CT-F.../ HC-M-17-CT-F...) of CK1,6-ED... contacts

Contact removal tool

Contact removal tool - UNIFOX RT-CK 1.6 - 1072069

<https://www.phoenixcontact.com/gb/products/1072069>



Contact removal tool, for turned and rolled CK- 1.6-... contacts

Contact insert - HC-Q07-I-CT-F

1418623

<https://www.phoenixcontact.com/gb/products/1418623>



Crimp contact

Crimp contact - CK1,6-ED-0,37BU AG - 1663394

<https://www.phoenixcontact.com/gb/products/1663394>



Turned 1.6 crimp contact, individual female contact, core diameter 0.14 to 0.37 mm², silver-plated

Crimp contact

Crimp contact - CK1,6-ED-0,50BU AG - 1663404

<https://www.phoenixcontact.com/gb/products/1663404>



Crimp contact, contact diameter: 1.6 mm, turned, Socket, contact material: Cu alloy, nickel-plated, contact surface: silver-plated, connection cross section: 0.5 mm² ... 0.5 mm², AWG 20

Contact insert - HC-Q07-I-CT-F

1418623

<https://www.phoenixcontact.com/gb/products/1418623>

Crimp contact

Crimp contact - CK1,6-ED-0,75BU AG - 1663417

<https://www.phoenixcontact.com/gb/products/1663417>



Crimp contact, contact diameter: 1.6 mm, turned, Socket, contact material: Copper alloy, contact surface: silver-plated, connection cross section: 0.75 mm² ... 0.75 mm², AWG 18

Crimp contact

Crimp contact - CK1,6-ED-1,00BU AG - 1663420

<https://www.phoenixcontact.com/gb/products/1663420>



Crimp contact, contact diameter: 1.6 mm, turned, Socket, contact material: Copper alloy, contact surface: silver-plated, connection cross section: 1 mm² ... 1 mm², AWG 18

Contact insert - HC-Q07-I-CT-F

1418623

<https://www.phoenixcontact.com/gb/products/1418623>



Crimp contact

Crimp contact - CK1,6-ED-1,50BU AG - 1663433

<https://www.phoenixcontact.com/gb/products/1663433>



Turned 1.6 crimp contact, individual female contact, core diameter 1.5 mm², silver-plated

Crimp contact

Crimp contact - CK1,6-ED-2,50BU AG - 1663446

<https://www.phoenixcontact.com/gb/products/1663446>



Turned 1.6 crimp contact, individual female contact, core diameter 2.5 mm², gold-plated

Contact insert - HC-Q07-I-CT-F

1418623

<https://www.phoenixcontact.com/gb/products/1418623>



Crimp contact

Crimp contact - CK1,6-ED-0,37BU AU - 1674969

<https://www.phoenixcontact.com/gb/products/1674969>



Crimp contact, contact diameter: 1.6 mm, turned, Socket, contact material: Copper alloy, contact surface: gold-plated, connection cross section: 0.14 mm² ... 0.37 mm², AWG 24 ... 22

Crimp contact

Crimp contact - CK1,6-ED-0,50BU AU - 1674480

<https://www.phoenixcontact.com/gb/products/1674480>



Crimp contact, contact diameter: 1.6 mm, turned, Socket, contact material: Copper alloy, contact surface: gold-plated, connection cross section: 0.5 mm² ... 0.5 mm², AWG 20

Contact insert - HC-Q07-I-CT-F

1418623

<https://www.phoenixcontact.com/gb/products/1418623>



Crimp contact

Crimp contact - CK1,6-ED-0,75BU AU - 1672440

<https://www.phoenixcontact.com/gb/products/1672440>



Crimp contact, contact diameter: 1.6 mm, turned, Socket, contact material: Copper alloy, contact surface: gold-plated, connection cross section: 0.75 mm² ... 0.75 mm², AWG 18

Crimp contact

Crimp contact - CK1,6-ED-1,00BU AU - 1674943

<https://www.phoenixcontact.com/gb/products/1674943>



Crimp contact, contact diameter: 1.6 mm, turned, Socket, contact material: Copper alloy, contact surface: gold-plated, connection cross section: 1 mm² ... 1 mm², AWG 18

Contact insert - HC-Q07-I-CT-F

1418623

<https://www.phoenixcontact.com/gb/products/1418623>



Crimp contact

Crimp contact - CK1,6-ED-1,50BU AU - 1674930

<https://www.phoenixcontact.com/gb/products/1674930>



Turned 1.6 crimp contact, individual female contact, core diameter 1.5 mm², silver-plated

Crimp contact

Crimp contact - CK1,6-ED-2,50BU AU - 1674985

<https://www.phoenixcontact.com/gb/products/1674985>



Turned 1.6 crimp contact, individual female contact, core diameter 2.5 mm², gold-plated

Contact insert - HC-Q07-I-CT-F

1418623

<https://www.phoenixcontact.com/gb/products/1418623>



Crimp contact

Crimp contact - CK1,6-ER-1,00BU OIC AG - 1004362

<https://www.phoenixcontact.com/gb/products/1004362>



Crimp contact, contact diameter: 1.6 mm, rolled, Socket, contact material: Cu alloy, nickel-plated, contact surface: silver-plated, connection cross section: 0.34 mm² ... 1 mm², AWG 22 ... 17

Crimp contact

Crimp contact - CK1,6-ER-2,50BU OIC AG - 1004366

<https://www.phoenixcontact.com/gb/products/1004366>



Crimp contact, contact diameter: 1.6 mm, rolled, Socket, contact material: Cu alloy, nickel-plated, contact surface: silver-plated, connection cross section: 1.5 mm² ... 2.5 mm², AWG 16 ... 14

Contact insert - HC-Q07-I-CT-F

1418623

<https://www.phoenixcontact.com/gb/products/1418623>



Crimp contact

Crimp contact - CK1,6-BR-1,00BU OIC AG - 1004381

<https://www.phoenixcontact.com/gb/products/1004381>



Crimp contact, contact diameter: 1.6 mm, rolled, Socket, contact material: Cu alloy, nickel-plated, contact surface: silver-plated, connection cross section: 0.34 mm² ... 1 mm², AWG 22 ... 17, Taped products

Crimp contact

Crimp contact - CK1,6-BR-2,50BU OIC AG - 1004383

<https://www.phoenixcontact.com/gb/products/1004383>



Crimp contact, contact diameter: 1.6 mm, rolled, Socket, contact material: Cu alloy, nickel-plated, contact surface: silver-plated, connection cross section: 1.5 mm² ... 2.5 mm², AWG 16 ... 14, Taped products

Contact insert - HC-Q07-I-CT-F

1418623

<https://www.phoenixcontact.com/gb/products/1418623>



Coding element

Coding element - HC-CP-D07-PL - 1095413

<https://www.phoenixcontact.com/gb/products/1095413>

Coding element for HC-D07 contact inserts of the HC-A03... / HC-A04... / HC-Q03... / HC-Q04... / HC-Q07... series



Coding element

Coding element - HC-CP-CK1.6-PL - 1095422

<https://www.phoenixcontact.com/gb/products/1095422>

Coding element for HC-D and HC-DD contact inserts with pole loss. Installed in the socket contact chamber.



Contact insert - HC-Q07-I-CT-F

1418623

<https://www.phoenixcontact.com/gb/products/1418623>



Crimping pliers

Crimping pliers - CRIMPFOX-1,6/2,5-ED-4,0 - 1687419

<https://www.phoenixcontact.com/gb/products/1687419>



Crimping pliers, for turned contacts, CK 1.6 ED... and CK 2.5 ED...

Crimping pliers

Crimping pliers - CRIMPFOX-TC 4 - 1212113

<https://www.phoenixcontact.com/gb/products/1212113>



Crimping pliers, for CK 1,6-ED..., CK 2,5-ED..., CK 4,0-ED... turned contacts, 4 marked die stations, unlockable pressure lock, lateral entry, incl. positioning tool

Contact insert - HC-Q07-I-CT-F

1418623

<https://www.phoenixcontact.com/gb/products/1418623>



Crimping pliers with digital display

Crimping pliers with digital display - CRIMPFOX-TC MP-6 - 1202888

<https://www.phoenixcontact.com/gb/products/1202888>



Crimping tool, for turned contacts, universal cross-section setting, up to a maximum of 6.0 mm², digital display with 0.01 mm increments, pressure lock can be unlocked, positioning tool necessary as an accessory for contact positioning

Sealing screw

Sealing screw - HC-D 7-DS-IP65 - 1686229

<https://www.phoenixcontact.com/gb/products/1686229>



Sealing screw, size: Countersunk head, IP67, replacement part for D7 size HEAVYCON housing

Contact insert - HC-Q07-I-CT-F

1418623

<https://www.phoenixcontact.com/gb/products/1418623>



Sealing screw

Sealing screw - HC-D 7-DS-IP65 - 1686229

<https://www.phoenixcontact.com/gb/products/1686229>



Sealing screw, size: Countersunk head, IP67, replacement part for D7 size HEAVYCON housing

Phoenix Contact 2022 © - all rights reserved
<https://www.phoenixcontact.com>

PHOENIX CONTACT Ltd
Halesfield 13, Telford
Shropshire, TF7 4PG
01952 681700
info@phoenixcontact.co.uk