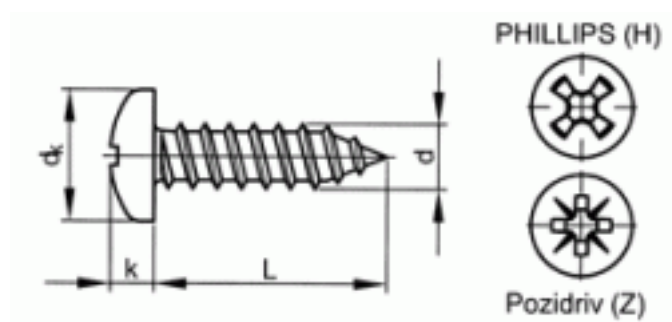


51660035025

D7981CH STNL A2 PNHD TPSCR PH SP 3,5X25



Brand	-
UBB Code	950352188748
UNSPSC Code	31161507
EAN Code	8715492302083
Head shape	pan head
Thread	Self tapping thread
Material	Stainless steel
Material technical	A2
Driving features	Phillips
DIN	7981 C



L	25
d	3,5
Packaging (Piece )	200.0



Copyright Fabory Group