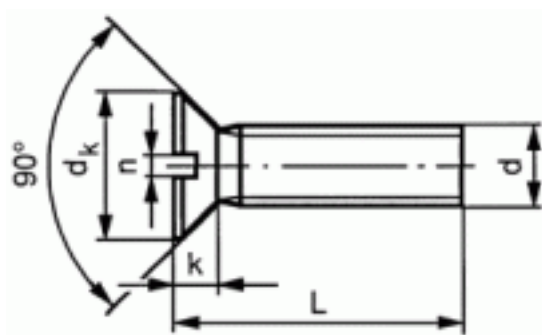


48170060012

D963 BRAS CSK SCR SLOTT M6X12



Brand	-
UBB Code	950353204155
UNSPSC Code	31161504
EAN Code	8715492849151
Thread	Metric thread
Material	Brass
Material technical	Cu2/Cu3
Driving features	slotted



Full thread L ≤	35
n	1,6
k (max.)	3
dk	11
P	1
L	12
d	M6
Packaging (Piece )	200.0



Copyright Fabory Group