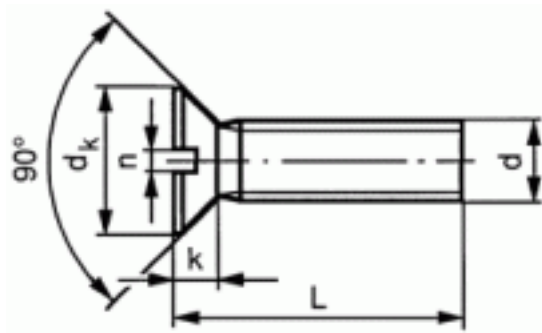


48170040020

D963 BRAS CSK SCR SLOTT M4X20



Brand	-
UBB Code	950353202415
UNSPSC Code	31161504
EAN Code	8715492848901
Thread	Metric thread
Material	Brass
Material technical	Cu2/Cu3
Driving features	slotted



Full thread L ≤	25
n	1
k (max.)	2,2
dk	7,5
P	0,7
L	20
d	M4
Packaging (Piece )	200.0



Copyright Fabory Group