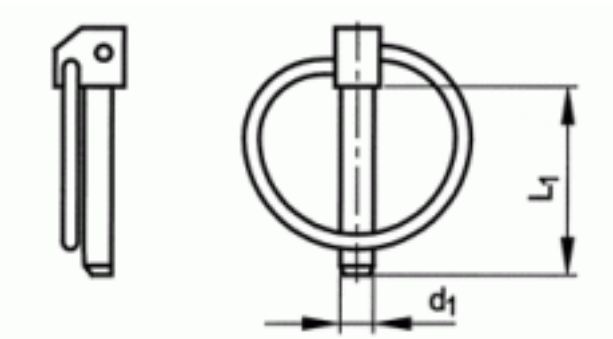


3966010001

ST YLP SPR COTT SAFEPIN W/RING 10MM



Brand	-
UBB Code	950359116767
UNSPSC Code	31163204
EAN Code	8715492822901
Surface treatment	Zinc plated yellow passivated
Material	Spring steel



Form of shaft	b
L2	14
d4 (max.)	32
d3 (H11)	10,5
	40
d1	10
Packaging (Piece)	10.0



Copyright Fabory Group