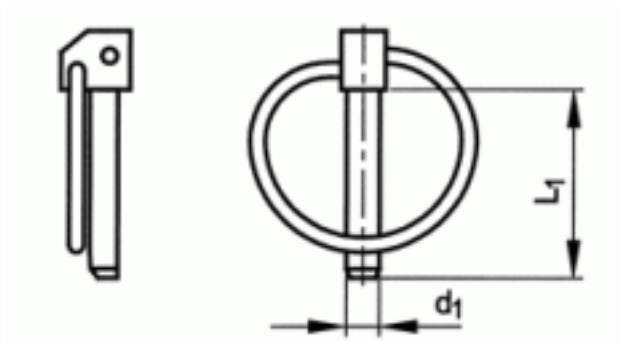


39660095001

ST YLP SPR COTT SAFEPIN W/RING 9,5MM



Brand	-
UBB Code	950359116684
UNSPSC Code	31163204
EAN Code	8715492822895
Surface treatment	Zinc plated yellow passivated
Material	Spring steel



Form of shaft	b
L2	14
d4 (max.)	32
d3 (H11)	10
	40
d1	9,5
Packaging (Piece)	25.0



Copyright Fabory Group