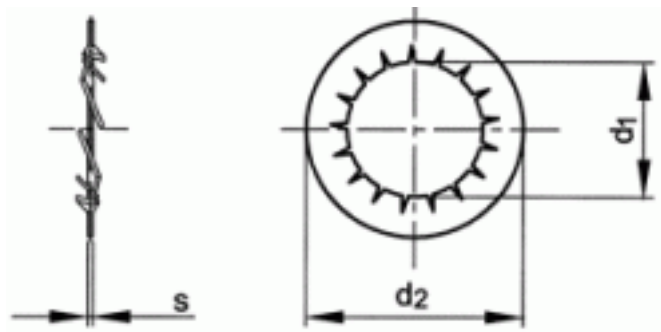


37480030001

D6798J ST ZPL INT LOCKW TP IZ M3



Brand	-
UBB Code	950357090543
UNSPSC Code	31161801
EAN Code	8715492769916
Surface treatment	Zinc plated
Material technical	350-425 HV10
Material	Spring steel



s	0,4
d2	6
d1	3,2
For nom. size	M3
Packaging (Piece)	1000.0



Copyright Fabory Group