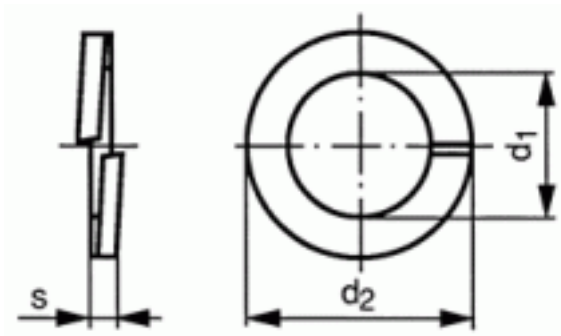


37220160001

D7980 HI-COLL ST ZPL RWA M16



Brand	-
UBB Code	950357071998
UNSPSC Code	31161811
EAN Code	8715492767226
Surface treatment	Zinc plated
Material technical	DIN267-26
Material	Spring steel



s	3,5
d2 (max.)	24,4
d1 (min.)	16,2
For nom. size	M16
Packaging (Piece)	100.0



Copyright Fabory Group