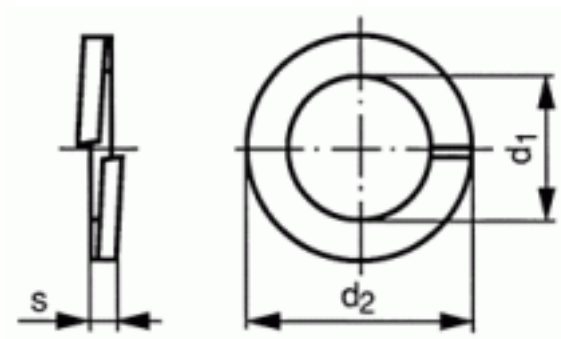


37220140001

D7980 HI-COLL ST ZPL RWA M14



Brand	-
UBB Code	950357071816
UNSPSC Code	31161811
EAN Code	8715492767219
Surface treatment	Zinc plated
Material technical	DIN267-26
Material	Spring steel



s	3
d2 (max.)	21,1
d1 (min.)	14,2
For nom. size	M14
Packaging (Piece )	100.0



Copyright Fabory Group