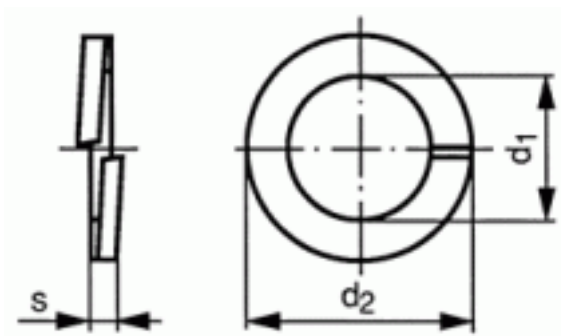


37220120001

D7980 HI-COLL ST ZPL RWA M12



Brand	-
UBB Code	950357071733
UNSPSC Code	31161811
EAN Code	8715492767202
Surface treatment	Zinc plated
Material technical	DIN267-26
Material	Spring steel



s	2,5
d2 (max.)	18
d1 (min.)	12,2
For nom. size	M12
Packaging (Piece)	150.0



Copyright Fabory Group