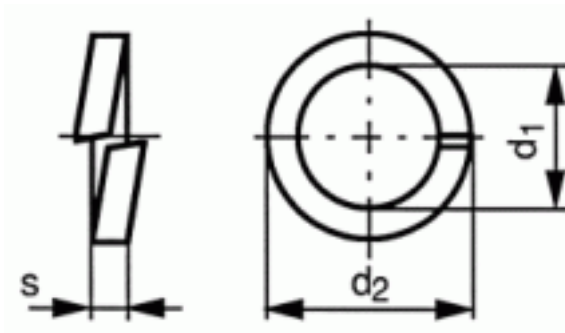


37025240001

D127B ST HDG SPR WASH M24



Brand	-
UBB Code	950357245667
UNSPSC Code	31161811
EAN Code	8715492765079
Surface treatment	Hot dip galvanized
Material technical	DIN267-26
Material	Spring steel



s	5
d2 (max.)	40
d1 (min.)	24,5
For nom. size	M24
Packaging (Piece)	50.0



Copyright Fabory Group