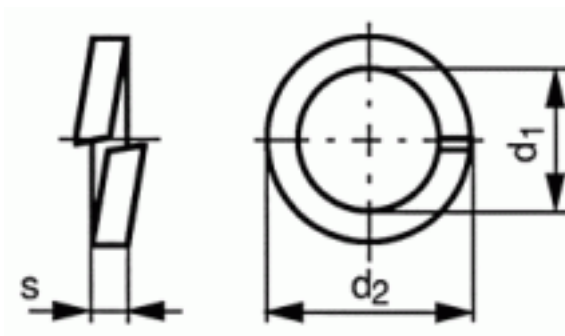


3702020001

D127B ST ZPL SPR WASH SP M20



Brand	-
UBB Code	950357048160
UNSPSC Code	31161811
EAN Code	8715492764560
Surface treatment	Zinc plated
Material technical	DIN267-26
Material	Spring steel



s	4
d2 (max.)	33,6
d1 (min.)	20,2
For nom. size	M20
Packaging (Piece)	100.0



Copyright Fabory Group