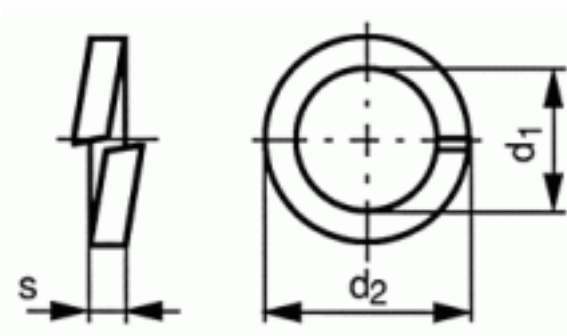


37020160001

D127B ST ZPL SPR WASH SP M16



Brand	-
UBB Code	950357047907
UNSPSC Code	31161811
EAN Code	8715492764539
Surface treatment	Zinc plated
Material technical	DIN267-26
Material	Spring steel



s	3,5
d2 (max.)	27,4
d1 (min.)	16,2
For nom. size	M16
Packaging (Piece)	100.0



Copyright Fabory Group