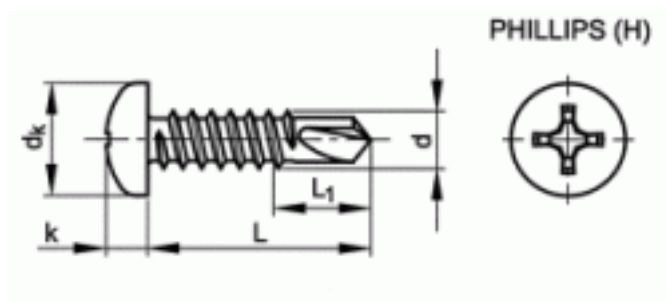


31820035025

ZPL PH SLF-DR PH ST3,5X25MM



Brand	-
UBB Code	950352586073
UNSPSC Code	31161507
EAN Code	8715492965592
Driving features	Phillips
Head shape	pan head
Thread	Self tapping thread
Material	Steel
Surface treatment	Zinc plated



No. cross recess	2
L1 ≈	5
k	2,6
dk	6,9
P	1,3
L	25
d	3,5
Packaging (Piece )	2000.0



Copyright Fabory Group