

Technical data sheet

Clamp clip, single, plastic pressure trough

Art.-Nr. 1175165



Suitable for all C profile rails with slot width 18 mm and 22 mm.
Polypropylene pressure sleeve, halogen-free, colour light grey RAL 7035.



St	Steel
FT	Hot-dip galvanised

Master data

Item no.	1175165
Type	2056U 16 FT
Description 1	Clamp clip
Dimension	12-16mm
Material	Steel
Material symbol	St
Surface	Hot-dip galvanised
Surface to DIN	DIN EN ISO 1461
Surface symbol	FT
Smallest sales unit	100,00 Piece
Weight	3,60 kg/100 pc.

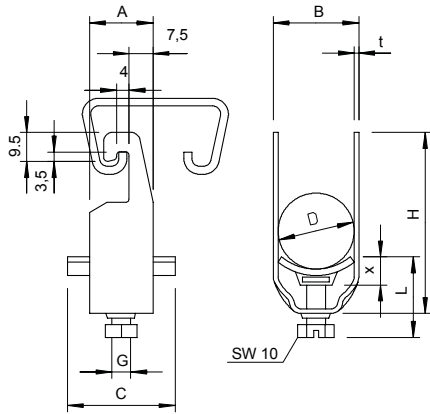
Technical data sheet

Clamp clip, single, plastic pressure trough

Art.-Nr. 1175165



Technical data



Dimension A	20,00 mm
Dimension B	20,00 mm
Dimension C	34 mm
Dimension G	M6
Dimension H	46,00 mm
Dimension L	34,00 mm
Dimension t	1,50 mm
Dimension x	5,00 mm
Number of cables/pipes	1,00
Max. tightening torque	3,00 Nm
for 1 cable H	46,00 mm
for 1 cable L	34,00 mm
for 2 cable H	64,00 mm
for 2 cable L	34,00 mm
for 3 cable H	82,00 mm
for 3 cable L	47,00 mm
for pipe diameter	16 mm
for rail with slot width	18,00 - 22,00 mm
Halogen-free	<input checked="" type="checkbox"/>
With plastic trough	<input checked="" type="checkbox"/>
With metal trough	<input type="checkbox"/>
Mounting type	Profile rail
Impact-resistant	<input type="checkbox"/>
Clamping range D	12,00 - 16,00 mm
Surface addition	hot galvanised
Material addition	Steel