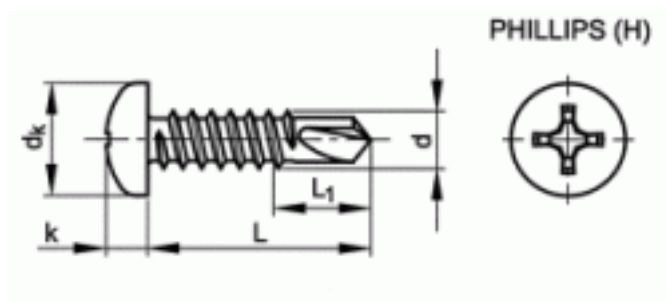


31250048038

SPED D7504M ZPL PANHD SCR LP ST4,8X38MM



Brand	-
UBB Code	950352153189
UNSPSC Code	31161507
EAN Code	8715492961389
Head shape	pan head
Thread	Self tapping thread
Material	Steel
Surface treatment	Zinc plated
Driving features	Phillips



L	38
d	4,8
Packaging (Piece)	500.0



Copyright Fabory Group