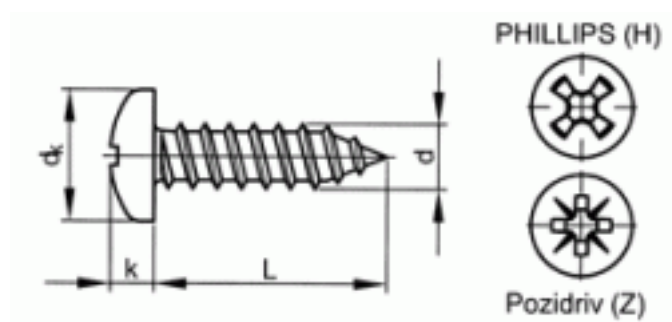


26660055025

D7981CH ZPL PNHD TAPSC PH SP ST5,5X25MM



| | |
|-------------------|---------------------|
| Brand | - |
| UBB Code | 950352112425 |
| UNSPSC Code | 31161507 |
| EAN Code | 8715492944634 |
| Head shape | pan head |
| Thread | Self tapping thread |
| Material | Steel |
| Surface treatment | Zinc plated |
| Driving features | Phillips |
| DIN | 7981 C |



| | |
|--------------------|-------|
| L | 25 |
| d | 5,5 |
| Packaging (Piece) | 100.0 |



Copyright Fabory Group