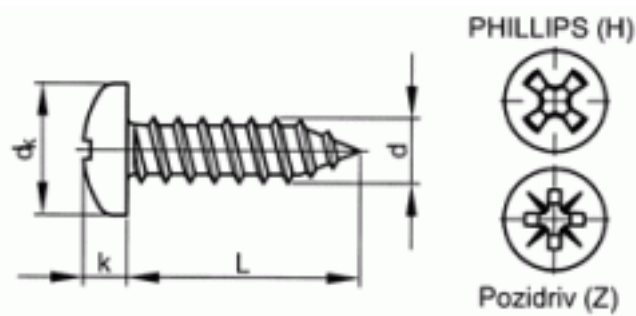


26660035006

D7981CH ZPL PNHD TAPSC PH SP ST3,5X6,5MM



Brand	-
UBB Code	950352109397
UNSPSC Code	31161507
EAN Code	8715492944238
Head shape	pan head
Thread	Self tapping thread
Material	Steel
Surface treatment	Zinc plated
Driving features	Phillips
DIN	7981 C



L	6,5
d	3,5
Packaging (Piece )	200.0



Copyright Fabory Group