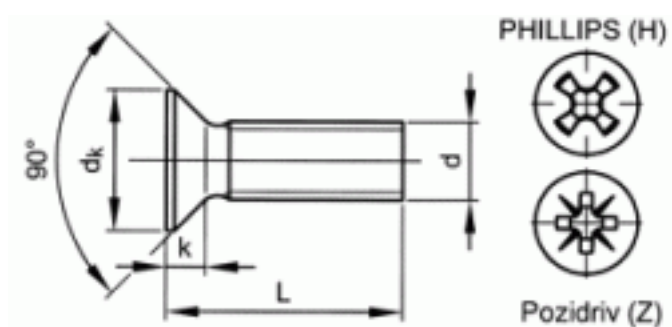


24670050030

D965H 4.8 ZPL CSK SCR PH LP M5X30



|                   |               |
|-------------------|---------------|
| Brand             | -             |
| UBB Code          | 950353165125  |
| UNSPSC Code       | 31161504      |
| EAN Code          | 8715492641724 |
| Thread            | Metric thread |
| Class             | 4.8           |
| Material          | Steel         |
| Surface treatment | Zinc plated   |
| Driving features  | Phillips      |



|                    |       |
|--------------------|-------|
| L                  | 30    |
| d                  | M5    |
| Packaging (Piece ) | 250.0 |



Copyright Fabory Group