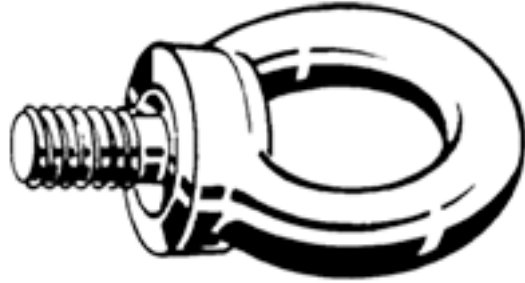
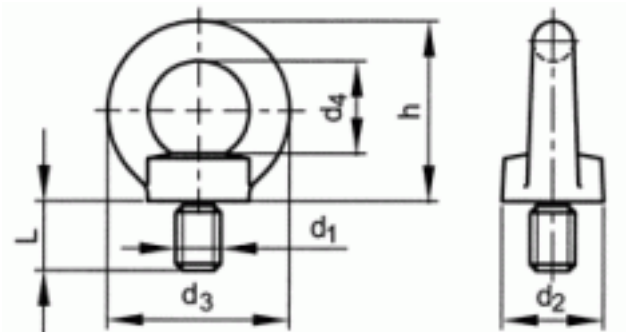


16010300001

D580 C15 ZPL EYE BLT M30



Brand	-
UBB Code	951351266139
UNSPSC Code	31161610
EAN Code	8715492584038
Thread	Metric thread
Material	Steel
Material technical	C15E
Surface treatment	Zinc plated



L	45
h	109
d4	60
d3	108
d2	65
P	3,5
d	M30
Packaging (Piece)	1.0



Copyright Fabory Group