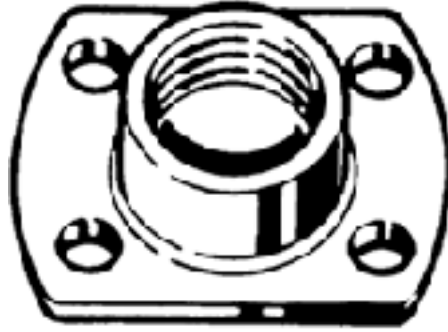
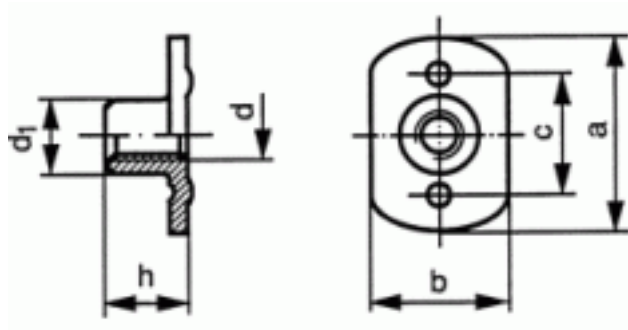


14200080001

ST SPOT WELD NT M8



Brand	-
UBB Code	950355151396
UNSPSC Code	31161731
EAN Code	8715492582010
Material	Steel
Thread	Metric thread



Number of welding spots	4
cEN	16
h	10
bEN	18
aEN	26
P	1,25
d	M8
Packaging (Piece )	1000.0



Copyright Fabory Group