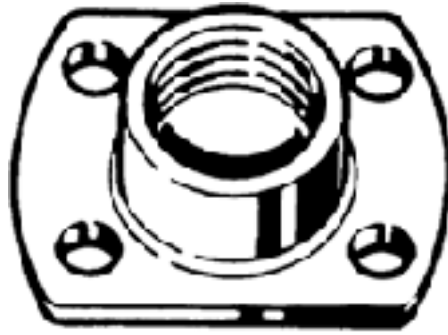
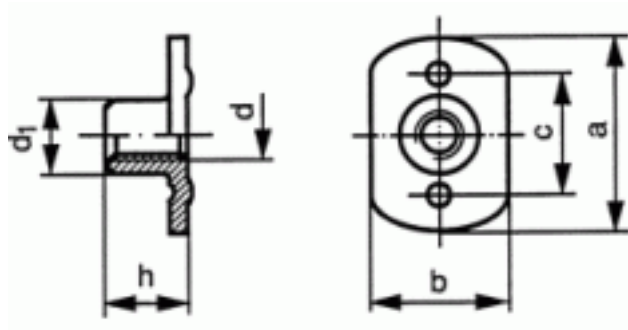


14200060001

ST SPOT WELD NT M6



Brand	-
UBB Code	950355151214
UNSPSC Code	31161731
EAN Code	8715492582003
Material	Steel
Thread	Metric thread



Number of welding spots	2
cEN	16
h	8,5
bEN	14
aEN	22
P	1
d	M6
Packaging (Piece )	1000.0



Copyright Fabory Group