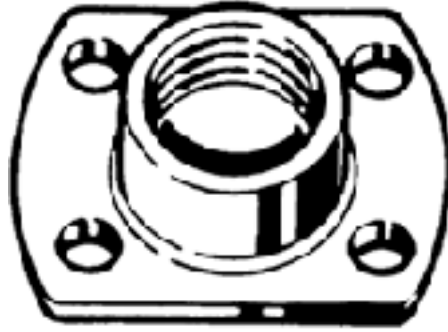
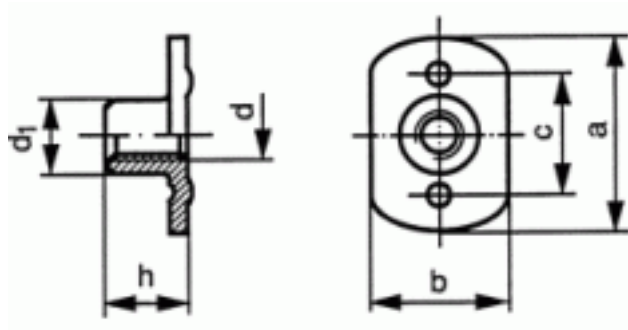


14200050001

ST SPOT WELD NT M5



Brand	-
UBB Code	950355151131
UNSPSC Code	31161731
EAN Code	8715492581990
Material	Steel
Thread	Metric thread



Number of welding spots	2
cEN	14
h	7,5
bEN	11
aEN	19
P	0,8
d	M5
Packaging (Piece )	1000.0



Copyright Fabory Group