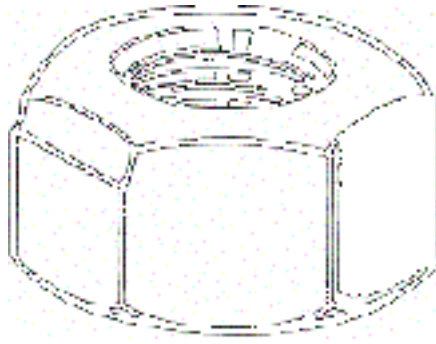
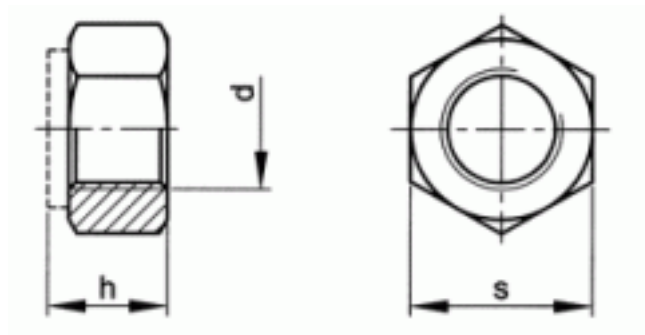


12912120150

D980V CL.8 ZPL HX LCKNT MF M12X1,50



Brand	-
UBB Code	950355795077
UNSPSC Code	31161727
EAN Code	8715492580290
Head shape	hexagon head
Thread	Metric fine thread
Class	8
Material	Steel
Surface treatment	Zinc plated
Driving features	hexagon



s	19
h (max.)	12
P	1,50
d	M12
Packaging (Piece)	200.0



Copyright Fabory Group