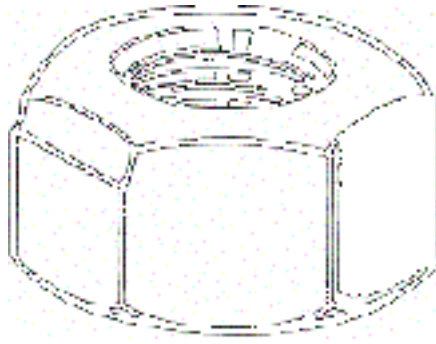
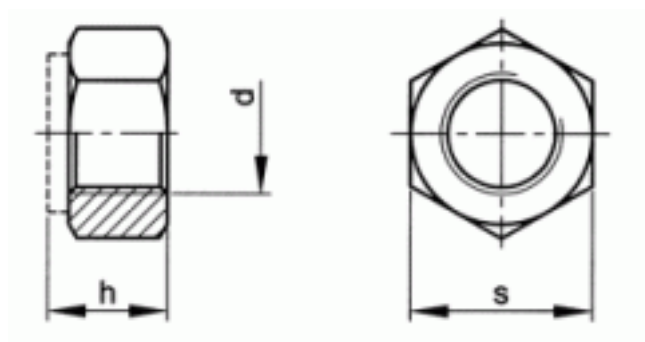


12910240001

D980V CL.10 ZPL HX LCKNT M24



Brand	-
UBB Code	950355618774
UNSPSC Code	31161727
EAN Code	8715492580238
Driving features	hexagon
Surface treatment	Zinc plated
Thread	Metric thread
Class	10
Material	Steel



s	36
h (max.)	24
P	3
d	M24
Packaging (Piece)	50.0



Copyright Fabory Group