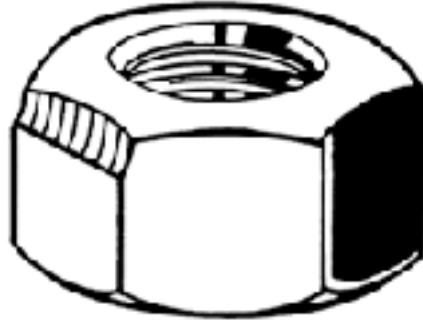
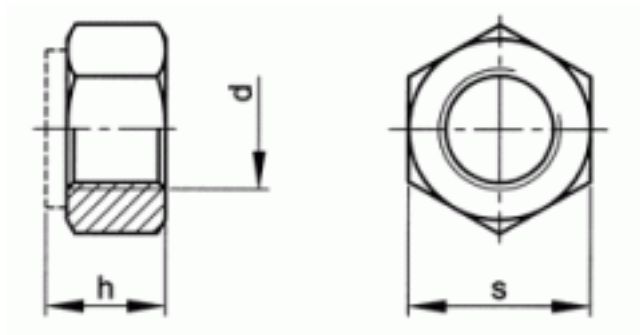


12858160001

STOV D980V ZPL CL.8 HX LCKNT M16



Brand	STOVER
UBB Code	950355778990
UNSPSC Code	31161727
EAN Code	8715492580016
Brand	STOVER
Thread	Metric thread
Class	8
Material	Steel
Surface treatment	Zinc plated
Driving features	hexagon



d	M16
Packaging (Piece)	50.0



Copyright Fabory Group