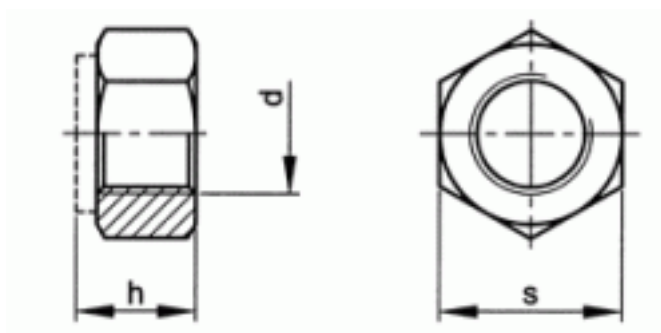


12410140001

D985 |10| ZPL HX LCKNT/INS M14



Brand	-
UBB Code	950355543022
UNSPSC Code	31161727
EAN Code	8715492578532
Driving features	hexagon
Thread	Metric thread
Class	10
Material	Steel
Surface treatment	Zinc plated



s	22
h	14
P	2
d	M14
Packaging (Piece)	100.0



Copyright Fabory Group