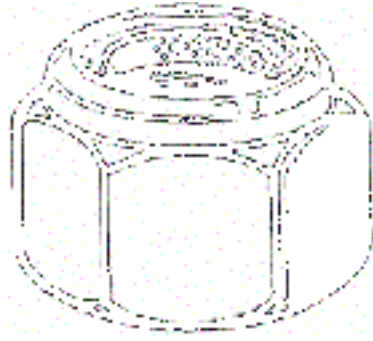
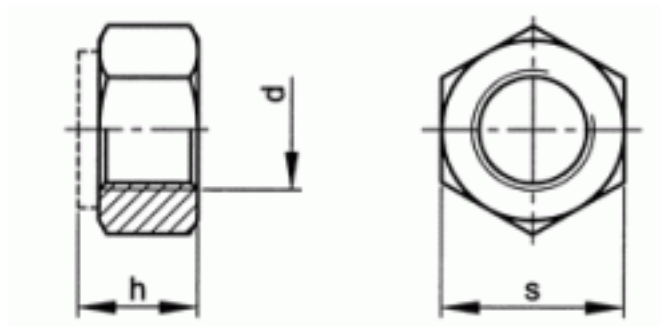


12320240200

D985 |5| ZPL HX LCKNT/INS MF M24X2,00



Brand	-
UBB Code	950355120524
UNSPSC Code	31161727
EAN Code	8715492577474
Head shape	hexagon head
Thread	Metric fine thread
Class	≥ 5
Material	Steel
Surface treatment	Zinc plated
Driving features	hexagon



s	36
h	24
P	2,00
d	M24
Packaging (Piece)	25.0



Copyright Fabory Group