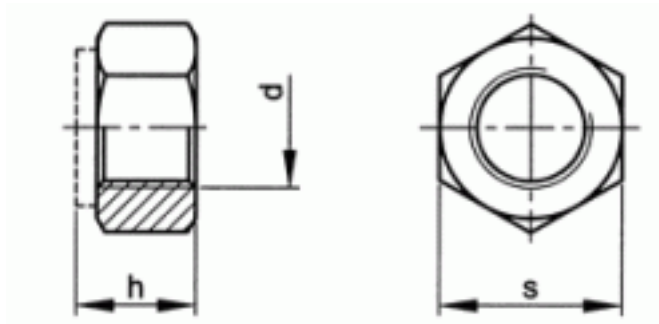


12320180150

D985 |6| ZPL HX LCKNT/INS MF M18X1,50



Brand	-
UBB Code	950355120110
UNSPSC Code	31161727
EAN Code	8715492577405
Head shape	hexagon head
Thread	Metric fine thread
Class	≥ 5
Material	Steel
Surface treatment	Zinc plated
Driving features	hexagon



s	27
h	18,5
P	1,50
d	M18
Packaging (Piece)	50.0



Copyright Fabory Group