

# Plurio

# THORN

92916449 PLI D 24L35-830 R/S BPS T60 CL2 W4 GY

LED	26W PLI24L35-830RS	IP66	IK08				T <sub>a</sub> -30 +50
-----	--------------------	------	------	--	--	--	---------------------------

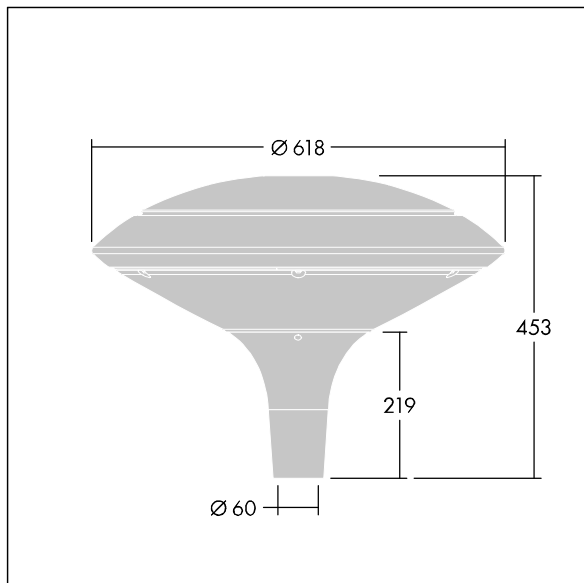
## Plurio

Plurio Indirect: A decorative post-top LED lantern with radially symmetric distribution. LED driver with 24 LEDs driven at 350mA. Class II electrical, IP66, IK08. Base: cast aluminium, powder coated light grey 150 (close to RAL9006). Canopy: disc shape, aluminium, textured light grey 150 (close to RAL9006). Diffuser: UV stabilised, clear polycarbonate with anti-glare prisms. Indirect, reflector based optic. Equipped with 50% power reduction circuit, effective 3 hours before and 5 hours after a calculated midnight. It can be deactivated at installation with an easily accessible internal switch. Complete with 3000K LED. Post top mounting to Ø60mm column. Pre-wired with 4m cable.

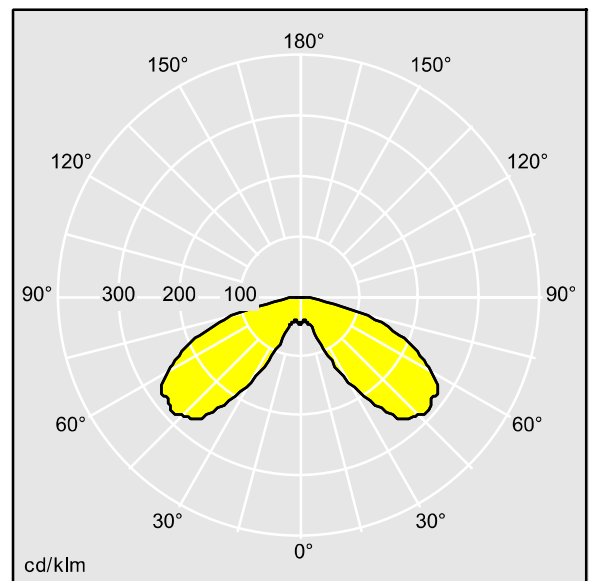
Dimensions: Ø618 x 453 mm  
Luminaire input power: 26 W  
Luminaire luminous flux: 2782 lm  
Luminaire efficacy: 107 lm/W  
Weight: 6.7 kg  
Scx: 0.151 m<sup>2</sup>



TLG\_PLRL\_F\_IDC\_ANT.jpg



TLG\_PLRL\_M\_IDC\_T60.wmf



TL\_PLI24L35RS830.ltd

Lamp position: STD - standard  
Light Source: LED  
Luminaire luminous flux\*: 2782 lm  
Luminaire efficacy\*: 107 lm/W  
Lamp efficacy: 107 lm/W  
Colour Rendering Index min.: 80  
LOR: 1,00 ULOR: 0,00 DLOR: 1,00

Ballast: 1 x 87500885 DRV TR LCO 60W 1.05A 100V  
D #EXC3 VAR  
Correlated colour temperature: 3000 Kelvin  
Chromaticity tolerance (initial MacAdam): 3  
Rated useful life (B10)\*:  
L90 100000h at 25°C  
Luminaire input power\*: 26 W  
Dimming: SETBP

All values marked with an \* are rated values. Thorn uses tried and tested components from leading suppliers, however there may be isolated instances of technology-related failures of individual LEDs during the rated product lifetime. International standards set the tolerance in initial flux and connected load at ±10%. Unless stated otherwise, the values apply to an ambient temperature of 25°C.

In most products the failure of one LED point causes no functional impairment to the lighting performance of the luminaire and is therefore no reason for complaint. Unless otherwise stated all Thorn LED products are suitable for unrestricted use (rated RG0 or RG1) with regard photobiological blue light safety (IEC/EN60598-1).

Thorn Lighting is constantly developing and improving its products. The right is reserved to change specifications without prior notification or public announcement.  
© Thorn Lighting

