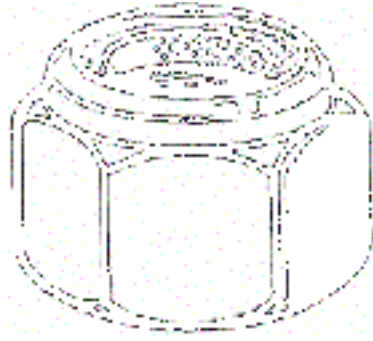
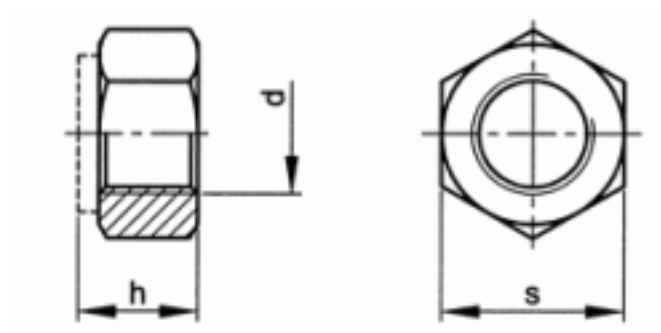


12300420001

D985 |5| ZPL HX LCKNT/INS SP M42



Brand	-
UBB Code	950355117405
UNSPSC Code	31161727
EAN Code	8715492577009
Driving features	hexagon
Thread	Metric thread
Class	≥ 5
Material	Steel
Surface treatment	Zinc plated



s	65
h	42
P	4,5
d	M42
Packaging (Piece )	5.0



Copyright Fabory Group