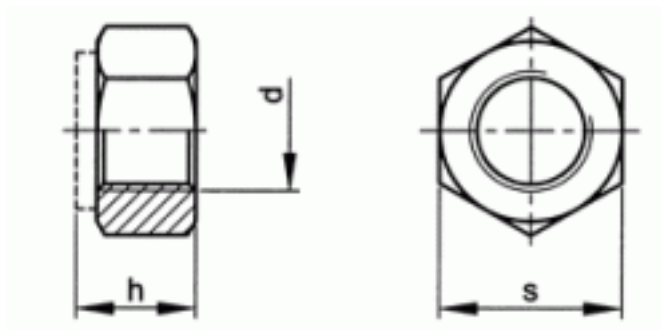


12300270001

D985 |5| ZPL HX LCKNT/INS SP M27



Brand	-
UBB Code	950355116902
UNSPSC Code	31161727
EAN Code	8715492576958
Driving features	hexagon
Thread	Metric thread
Class	≥ 5
Material	Steel
Surface treatment	Zinc plated



s	41
h	27
P	3
d	M27
Packaging (Piece )	10.0



Copyright Fabory Group