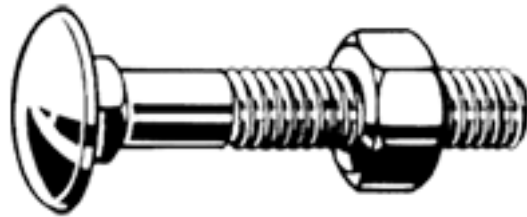
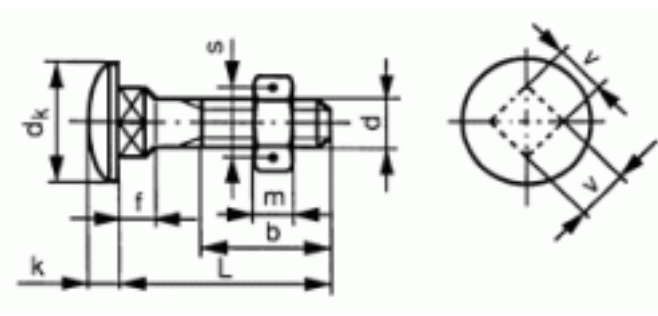


08420100060

D603/555 4.6 HDG SQR NECK BLT OV M10X60



Brand	-
UBB Code	950351639717
UNSPSC Code	31161612
EAN Code	8715492561053
Thread	Metric thread
Class	≥4.6
Material	Steel
Surface treatment	Hot dip galvanized



L	60
d	M10
Packaging (Piece)	100.0



Copyright Fabory Group