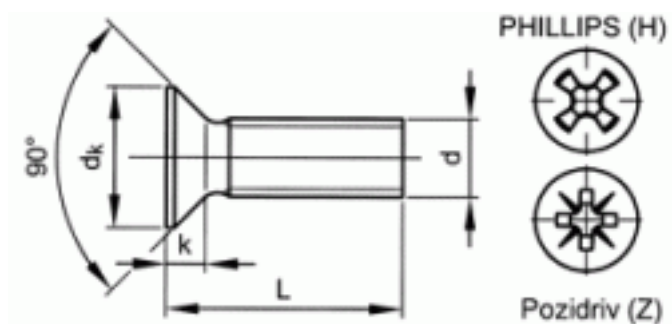


24670050025

D965H 4.8 ZPL CSK SCR PH LP M5X25



Brand	-
UBB Code	950353165042
UNSPSC Code	31161504
EAN Code	8715492641717
Thread	Metric thread
Class	4.8
Material	Steel
Surface treatment	Zinc plated
Driving features	Phillips



L	25
d	M5
Packaging (Piece)	500.0



Copyright Fabory Group