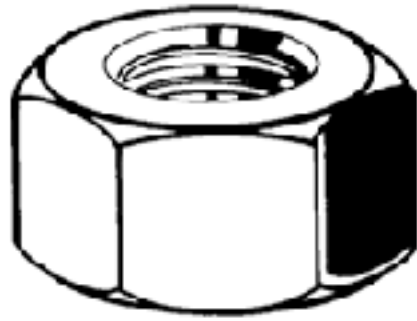
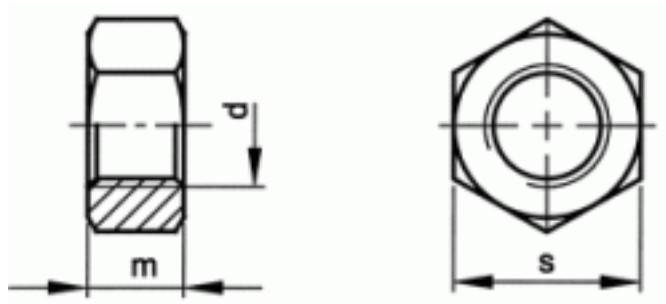


0419010001

D934 |12| HX NT M10



Brand	-
UBB Code	950355326964
UNSPSC Code	31161727
EAN Code	8715492123138
Driving features	hexagon
Material	Steel
Class	12
Thread	Metric thread



s	17
m	8
P	1,5
d	M10
Packaging (Piece )	250.0



Copyright Fabory Group