

6LE000469A



8004 00 01

Bus application unit flush-mounted, system/easy link



Safety instructions

GB

Electrical equipment may only be installed and assembled by qualified electricians. Always follow the relevant accident prevention regulations.

Failure to comply with these installation instructions may result in damage to the device, fire or other hazards.

When installing and laying cables, always comply with the applicable regulations and standards for SELV electrical circuits.

During renovation work, protect the device from pollution by paint, wallpaper paste, dust etc. The device can be damaged.

These instructions are an integral component of the product and must be retained by the end user.

Design and layout of the device

Figure 1: Front view

Figure 2: Rear view

- (1) Illuminated programming button
- (2) Mounting device for fastening clamps
- (3) Dust protection cover for user interface (suitable for labelling field sticker)
- (4) User interface
- (5) Screw holes for dismantling protection
- (6) Plug-in interface for temperature sensor
- (7) KNX bus connection terminal
- (8) Attachment claws

Function

System information

This device is a product of KNX system and corresponds to the KNX guidelines. Detailed specialised knowledge obtained from KNX training courses is required for comprehension. The planning, installation and commissioning are carried out with the help of KNX-certified software.

system link start-up

The function of the device is software-dependent. The software is to be taken from the product database. You can find the latest version of the product database, technical descriptions as well as conversion and additional support programmes on our website.

easy link start-up

The function of the device is configuration-dependent. The configuration can also be done using devices developed specially for simple setting and start-up.

This type of configuration is only possible with devices of the easy link system. easy link stands for easy, visually supported start-up. Preconfigured standard functions are assigned to the in/outputs by means of a service module.

Correct use

- Attaching application modules, e.g. push-button, thermostat, to the KNX system
- Installation into wall box according to DIN 49073

Product characteristics

- Start-up and programming in S-mode and E-mode
- Localisation function by integrated buzzer (siren)
- Connection for external temperature sensor
- Integrated dust protection cover for protection of the user interface

Information for electricians

Installation and electrical connection



DANGER!

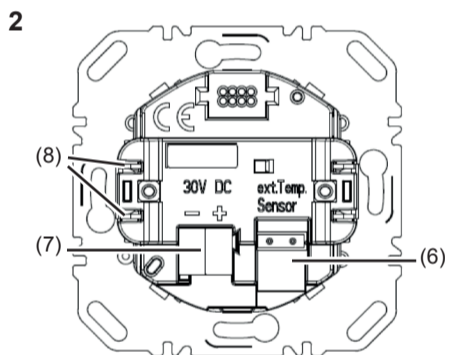
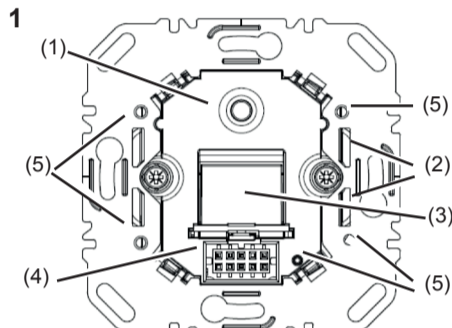
Touching live parts in the installation environment can result in an electric shock!

An electric shock can be lethal!

Disconnect the connecting cables before working on the device and cover all live parts in the area!

Connecting and installing the device

- Connect bus line via KNX bus terminal (7): red +, black -.
- Connect external temperature sensor via connecting terminal (6) if necessary.
- For mounting in a flush-mounted wall box use fixing claws (8) or in a hollow wall wall-box use screws for fixing.
- Mount the device into the wall box in the correct position.
- If no application module is mounted, close dust protection cover for user interface.



Start-up

GB

system link - Loading the physical address and application software

The device is mounted and connected to the KNX bus. Application module is not mounted. The programming button and LED are accessible.

i The physical address is only ever assigned for one device. Only one device can ever be in programming mode.

- Switch on bus voltage.
- Press programming button (1).
The button lights up.

i If the button does not light up, no bus voltage is present.

- Load the physical address into the device.
- The programming LED goes out.
- Load application software into the device.
- Note the physical address on the bus application unit (3) and on the associated application module.

i The application software of the application module can be fully loaded into the bus application unit. The bus application unit automatically detects the application module after mounting.

easy link

Information on the system configuration can be taken from the extensive description of the service module easy link.

Appendix

Technical data

KNX Medium	TP 1
Start-up mode	system link, easy link
Rated voltage KNX	DC 21 ... 32 V SELV
Connection mode KNX	bus connecting terminal
Power consumption KNX	max. 150 mW (with application module)
User interface output power	max. 100 mW
Dimensions (W x H x D)	71 x 71 x 32 mm
Clamping range of attachment claws	52 ... 70 mm
Degree of protection	IP20
Protection class	III
Operating temperature	-5 ... +45 °C
Storage/transport temperature	-20 ... +70 °C
Standards	EN 60669-2-1; EN 60669-1 EN 50428

Troubleshooting

Bus operation is not possible

Cause: Bus voltage is not present.

Check bus connection terminals for correct polarity.

Check bus voltage by briefly pressing the programming button (1), red LED lights up if bus voltage is present.

Warranty

We reserve the right to make technical and formal changes to the product in the interest of technical progress.

Our products are under guarantee within the scope of the statutory provisions.

If you have a warranty claim, please contact the point of sale or ship the device postage free with a description of the fault to the appropriate regional representative.