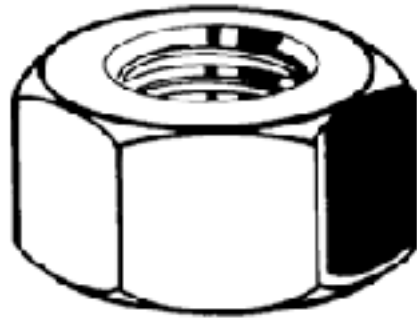
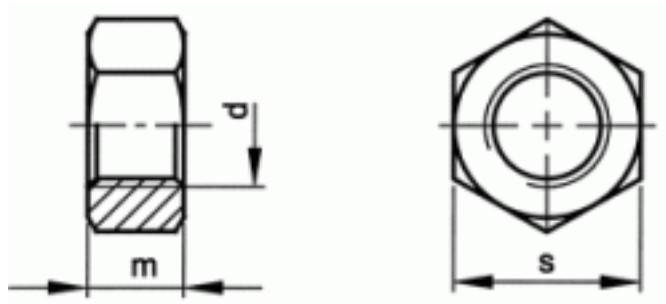


04120270001

D934 |10| HX NT M27



Brand	-
UBB Code	950355043569
UNSPSC Code	31161727
EAN Code	8715492119582
Driving features	hexagon
Material	Steel
Class	10
Thread	Metric thread



s	41
m	22
P	3
d	M27
Packaging (Piece)	25.0



Copyright Fabory Group