




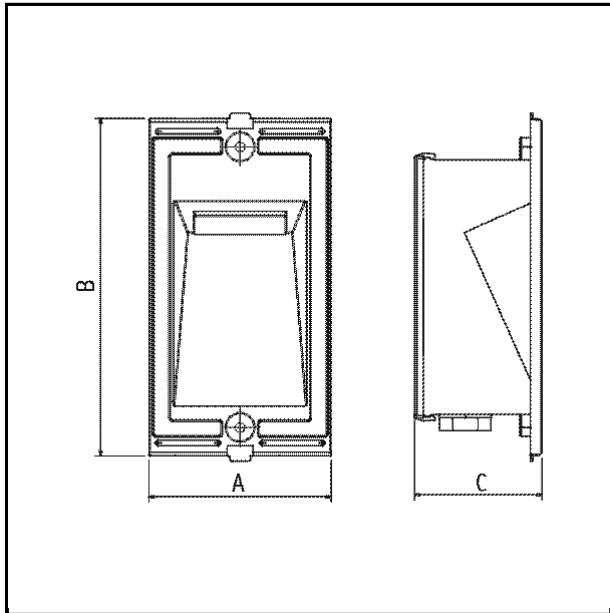


**Quantum light body - 5425-5427**



<b>CODE NO.</b>	<b>5427</b>
LAMP	 LED / 4000K
LUMEN	280
W	3,2W / 220-240V
IP	<b>IP 65</b> 
IK	IK10 (20 joules) /  <b>Classe II</b>
CERTIFICATION	
CONFORMITY	EN 60 598-1:08+A11:09
COLOURS	
ENERGY CLASS	



**SPECIFICATIONS**

- Body in polycarbonate
- Stainless steel screws
- To be installed on the backbox code 5481
- Photobiologic safety: risk group 0 standard EN 62471:08
- CRI color rendering index 85
- Life: 50.000 hours with max decreasing of 30%
- 220-250V power / 350 mA - 12V incorporated

**DIMENSIONS**

- A 70 mm
- B 130 mm
- C 49 mm

Print created on 22/08/2016 11:53