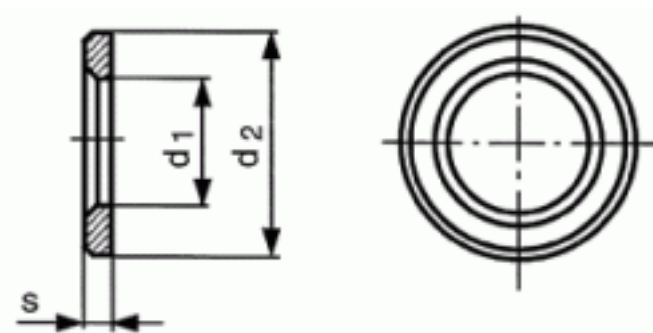


04035240001

EN14399-6 C45 HS STRUCT WASH M24



Brand	PEINER
UBB Code	500504256156
UNSPSC Code	31161801
EAN Code	8715494446358
Material technical	300-370 HV10
Brand	PEINER
Material	Steel
EN	14399-6



For nom. size	M24
Packaging (Piece)	200.0



Copyright Fabory Group