

Technical data sheet

SLC Plafond 18W Dim IP54



Product Details

Product name	SLC Plafond 18W Dim IP54
Product numbers	SLC1063 – 2700K SLC1064 – 3000K SLC1065 – 4000K

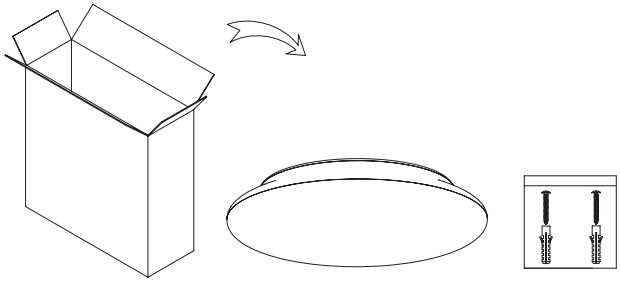
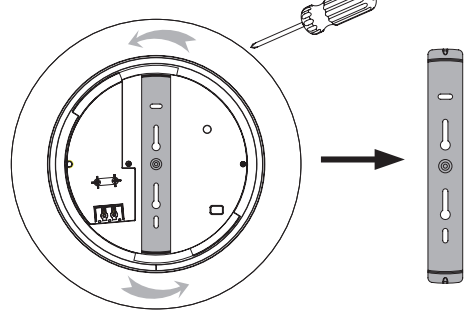
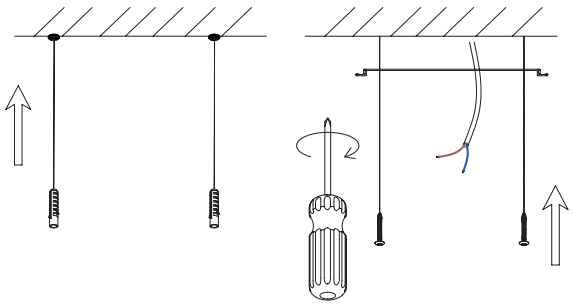

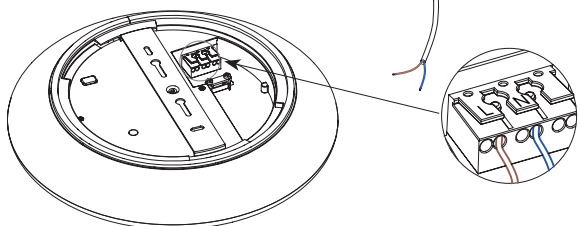
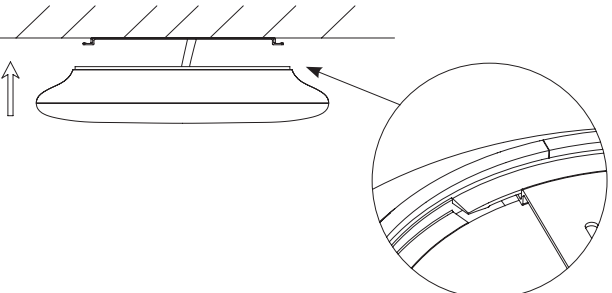
Light

Lumen	2700K: 1690lm, 3000K: 1740Lm 4000K:1840lm
Light Color	2700/3000/4000K
McAdam	< 3
Efficiency (lm/W)	93-100lm/W
Effect factor	0,9
Beam Angle (°)	120°

Electrical

Mains	200-240VAC, 50Hz
Power, System	18W +/-1W

Installation

<p>1</p>  <p>Lamp</p> <p>Installation accessories</p>	<p>2</p>  <p>Pull out the bracket anticlockwise by screw driver, take out the bracket.</p>
<p>3</p>  <p>Knock the plastic anchor into ceiling, fix the bracket with screws on the ceiling.</p>	<p>4</p> <p>  L=BROWN N=BLUE </p>  <p>Wire "L" "N" to terminal block.</p>
<p>5</p>  <p>Push the lamp upward and rotate it into bracket. Rotate the lamp clockwise until it is firmly fixed.</p>	<p>6</p> 