

## SLC Plafond 25W Dim IP54



### Product Details

Product name	SLC Plafond 25W Dim IP54
Product numbers	SLC1066 – 2700K SLC1067 – 3000K SLC1068 – 4000K

### Light

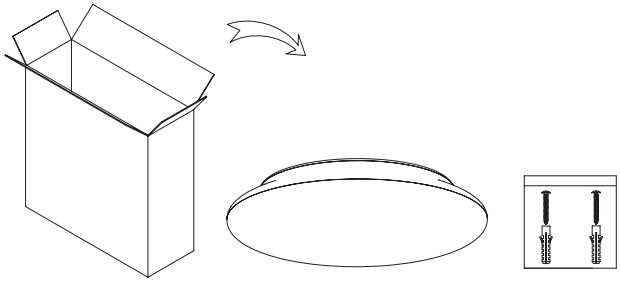
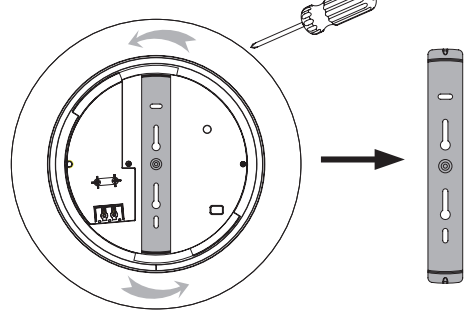
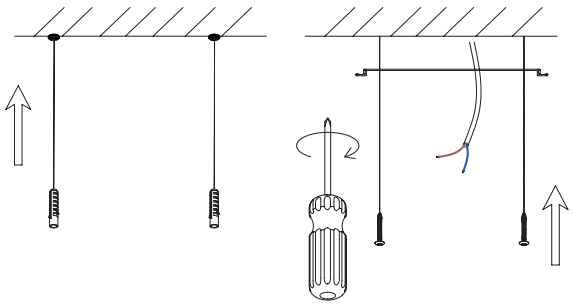

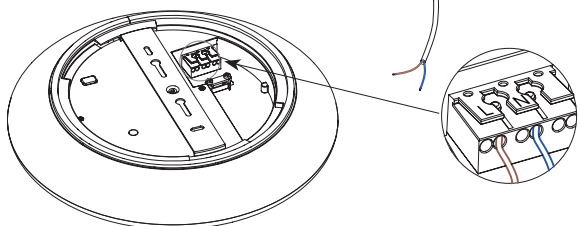
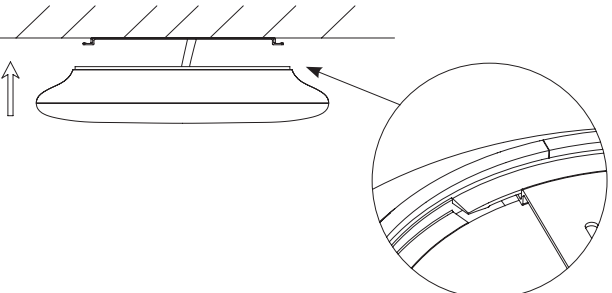
Lumen	2700K: 2330lm, 3000K: 2350lm, 4000K:2460lm
Light Color	2700/3000/4000K
McAdam	< 3
Efficiency(lm / W)	95lm/W
Effect factor	0,9
Beam Angle(°)	120°

### Electrical

Mains	200-240VAC, 50Hz
Power, System	25W +/-1W



Installation

<p>1</p>  <p>Lamp</p> <p>Installation accessories</p>	<p>2</p>  <p>Pull out the bracket anticlockwise by screw driver, take out the bracket.</p>
<p>3</p>  <p>Knock the plastic anchor into ceiling, fix the bracket with screws on the ceiling.</p>	<p>4</p> <p>   L=BROWN N=BLUE         </p>  <p>Wire "L" "N" to terminal block.</p>
<p>5</p>  <p>Push the lamp upward and rotate it into bracket. Rotate the lamp clockwise until it is firmly fixed.</p>	<p>6</p> 