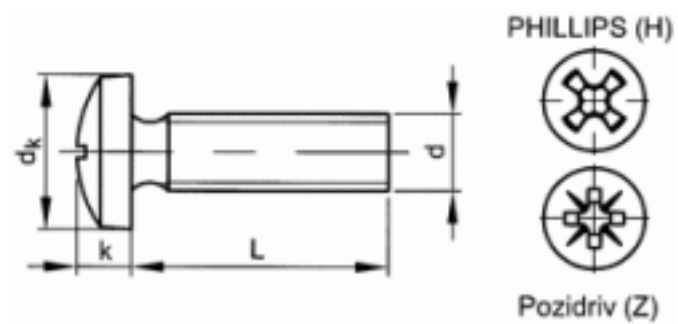


24665050010

D7985H 4.8 ZPL RCHSHD SCR PH SP M5X10



Brand	-
UBB Code	950353907070
UNSPSC Code	31161504
EAN Code	8715492640918
Head shape	raised cheese head
Material	Steel
Surface treatment	Zinc plated
Driving features	Phillips
Thread	Metric thread
Class	4.8



L	10
d	M5
Packaging (Piece )	200.0



Copyright Fabory Group