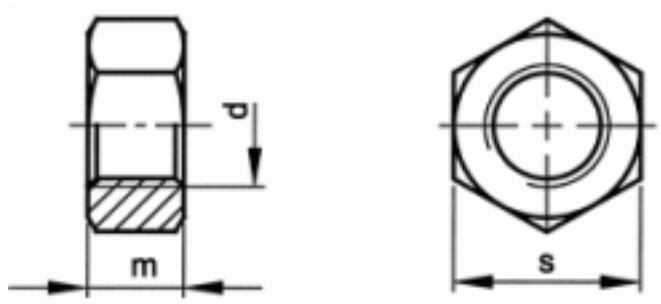


04120120001

D934 |10| HX NT M12



|                  |               |
|------------------|---------------|
| Brand            | -             |
| UBB Code         | 950355042819  |
| UNSPSC Code      | 31161727      |
| EAN Code         | 8715492119513 |
| Driving features | hexagon       |
| Material         | Steel         |
| Class            | 10            |
| Thread           | Metric thread |



|                    |       |
|--------------------|-------|
| s                  | 19    |
| m                  | 10    |
| P                  | 1,75  |
| d                  | M12   |
| Packaging (Piece ) | 100.0 |



Copyright Fabory Group